

The modular design system  
for flexible gripping

Product Catalog 2022



## SoftGripping - Your Individual Gripper

Configure your individual gripper within minutes with the modular system of SoftGripping. The pneumatically powered elastic gripper allow easy, robust and very light designs. The soft and adaptive surfaces ensure safe and careful gripping of different shaped products.

If your application needs a special design, we are happy to develop a customized gripping system for you and support you in the entire automation process. The design and manufacturing method of SoftGripping allows a fast and cost-effective customization.

Let's find the perfect solution for your individual gripping needs.

## Content

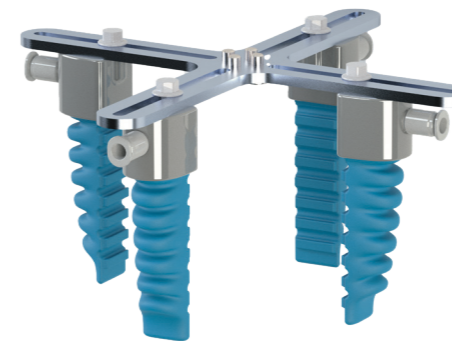
4 Elastic Gripping Fingers



6 SoftGripper

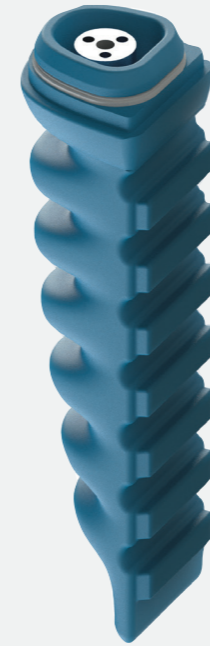
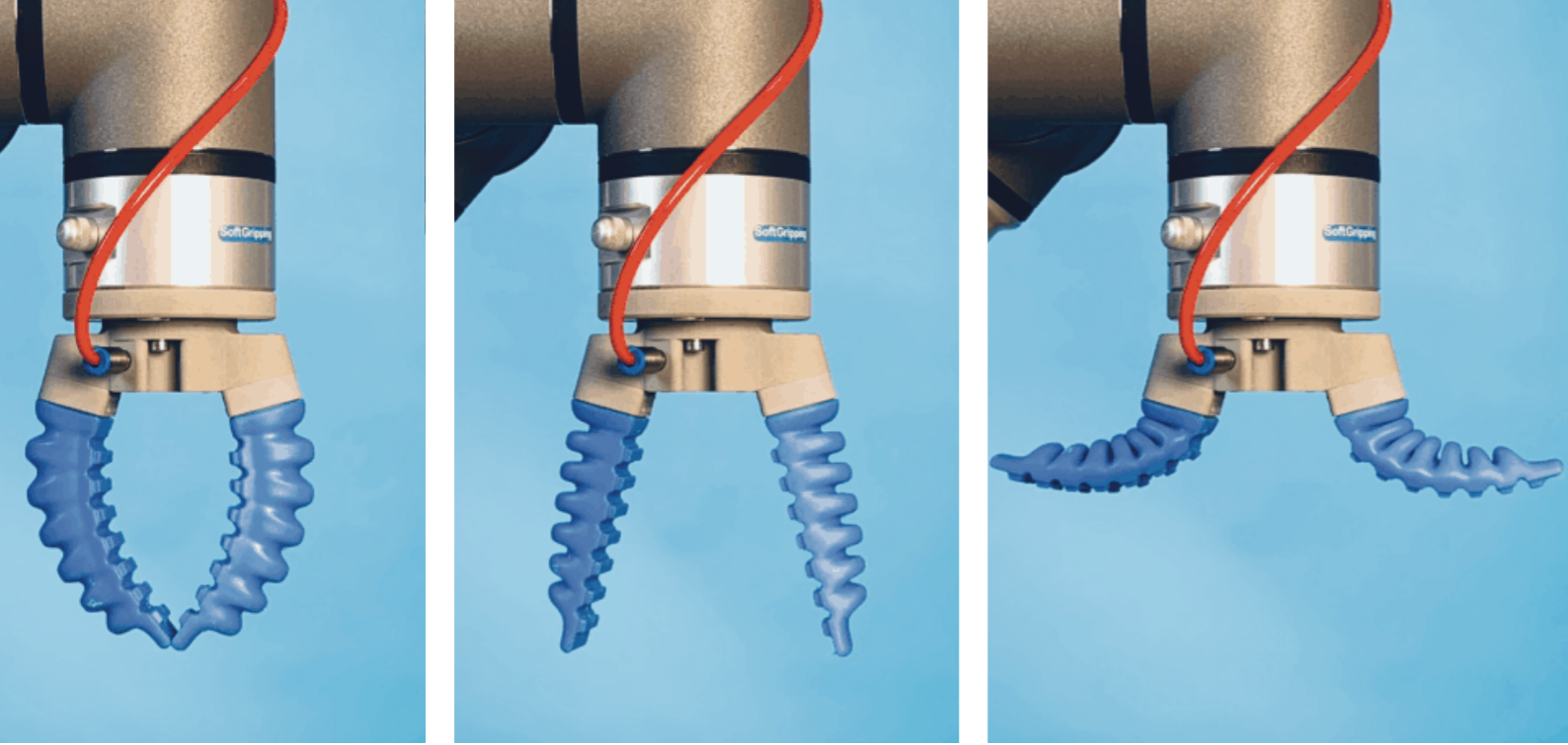


16 SoftActuators



20 Pneumatics





Finger material	Silicone FDA
Mass	20 g
Pressure range	-0.5 ... 1.2 bar
Gripping force	5 N
Durability @1.0 bar 0.5 Hz	>10 million cycles
Gripping speed	<50 ms

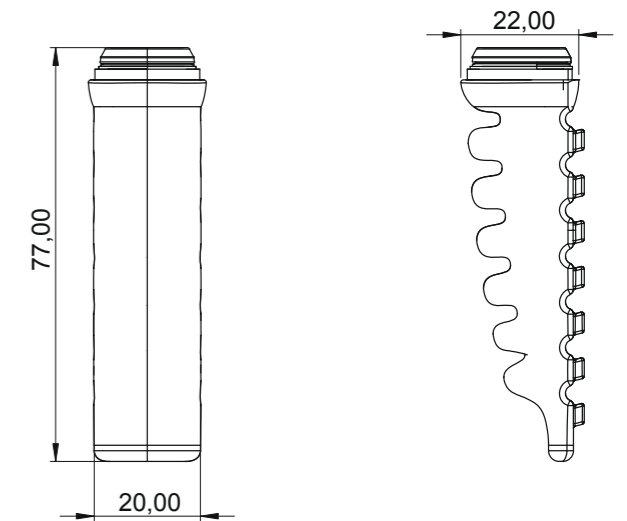
## Elastic Gripping Finger

The gripping fingers consist of a specially shaped silicon shell, which grips in dependence to the air pressure inside. By applying pressure the fingers close and grip an object carefully. Using vacuum the gripper can be spreaded.

The size of the fingers is inspired by human fingers. Most of the products we want to hold in our hands were once designed to be grasped by human hands - one of the most effective and flexible gripping tool.

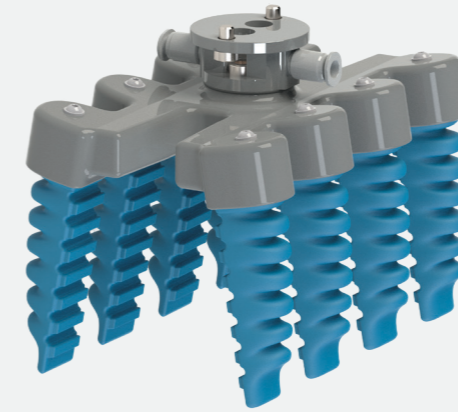
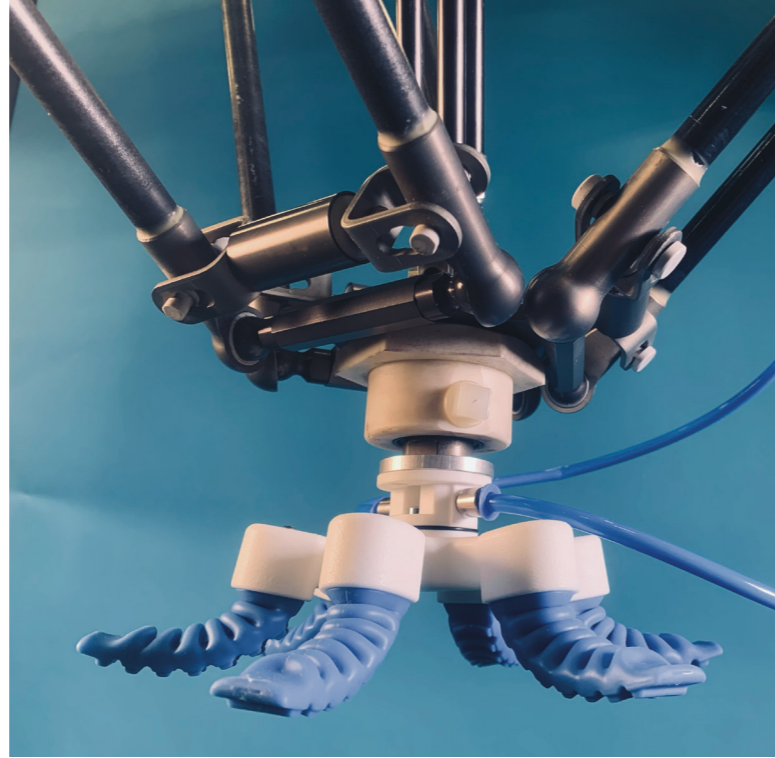
Special emphasis in the development process was placed on the durability. Due to an optimized shape and a special developed material more then 10 million gripping cycles can be done.

- Safe collaboration
- Fault tolerant gripping
- High speed capable
- Optimized durability
- FDA approved material
- Optional: detectable material available
- Gripping differently shaped products with one gripper



Get more information!





## SoftGripper

The SoftGrippers are lightweight, easy to operate and have no sharp edges. They adapt to the shape of any object without damaging the surface. The main advantages are the low weight, the gripping speed and the capability to work with all kinds of objects. Our pneumatically driven fingers are made of FDA-approved silicon rubber. We guarantee a lifetime of more than 10 million cycles at 1 bar pressure.

Adapters are available for any robot on the market. The shape of the gripping object determines the base, which is an essential part of the gripper. A circular object needs a centric base, a long object a parallel one.

You can choose one of our standard gripper with a suitable number of fingers, their arrangement and orientation. With these standard grippers you can handle most objects. For special applications, we will gladly design a completely individual base for your task in shortest time.

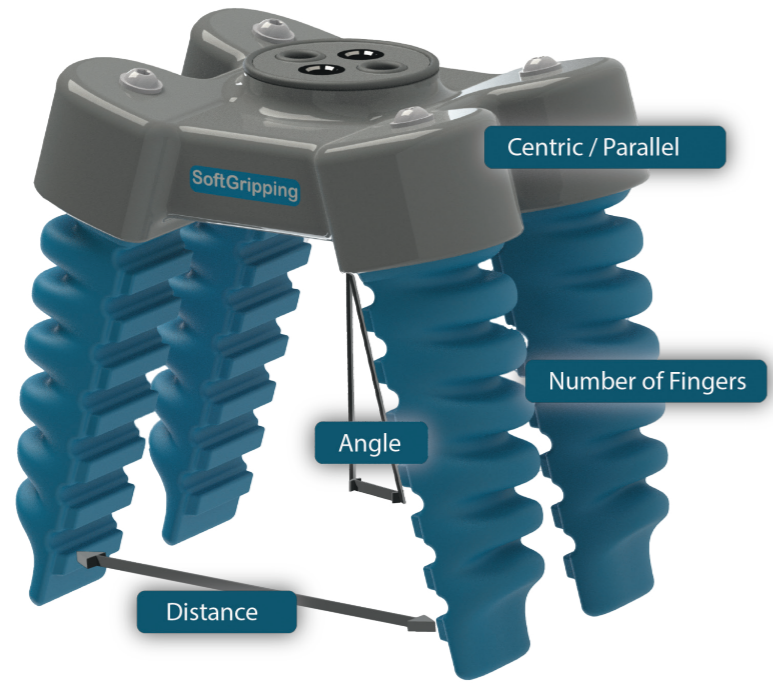
You will be surprised how safe and easy one SoftGripper can handle a broad range of objects due to its flexibility. So it is not necessary to have different grippers for differently shaped objects.

Additionally a vacuum suction cup can be mounted centrally to support the gripping process.



- Integrated and very light design
- Ideal for gripping differently shaped objects
- Hygienic design
- Centric and parallel grippers available
- Connector for an optional suction cup or spacer
- Ideal for handling of food and sensitive objects
- High speed gripping with delta robots
- Customized grippers available (number of fingers and finger orientation)





## Configure your Individual SoftGripper

- R31 Robot Flange
- D15 Angle of the Finger Orientation
- A67 Distance between the Fingers
- S60 Finger Material
- F4 Number of the Fingers
- P Parallel or Centric Gripper
- IH Hygienic or Normal Gripper
- SG

Beside our standard grippers you can freely configure your customized gripper. Simply choose the number of fingers, their orientation and distance - according to your gripping objects and process. Choose the hygienic version to handle food.

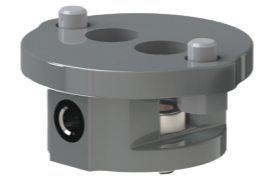
Thanks to the design and manufacturing process your individual SoftGripper can be produced within two weeks.

Just follow the selection guide to specify your gripper and the article number.

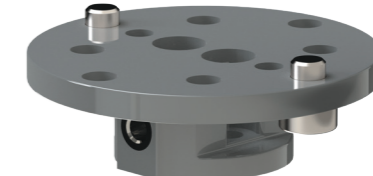
You need support in your selection or design process? Just contact us. We are happy to help.

## Selection Guide for your Individual SoftGripper

### R31 Robot Flange



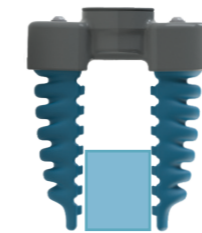
R31  
ISO 9409-A31,5



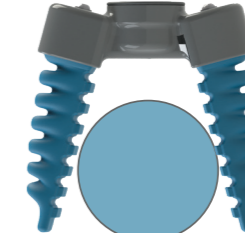
R50  
ISO 9409-A50

You have a different robot flange? Contact us!  
We can deliver the right adapter for you.

### D15 Angle of the Finger Orientation

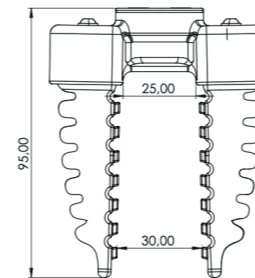


D0  
0° for rectangular objects



D15  
15° or different angles  
for round objects

### A67 Distance between the Fingers



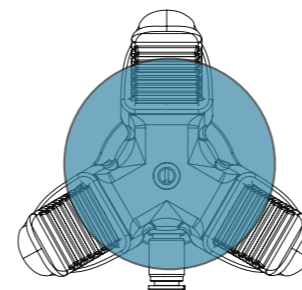
A30  
Choose the distance  
corresponding to  
your object size.

### F4 Number of the Fingers

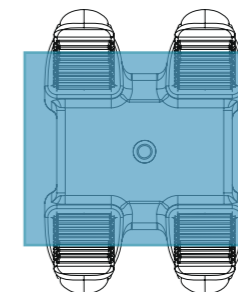


F6  
Choose the number of the  
finger corresponding the  
size and weight of your  
object: 1 Finger = 150 g

### P Parallel or Centric Gripper



C  
Centric gripper for  
round objects



P  
Parallel gripper for  
rectangular objects

## 2-Finger Parallel SoftGripper

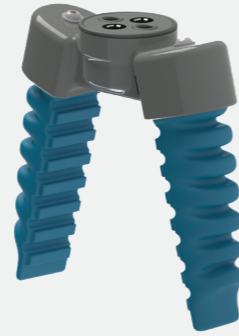
Art.No. SG.IN.P.F2.S60.Axx.Dxx  
 Mass 110 g

### Typical Gripping Objects

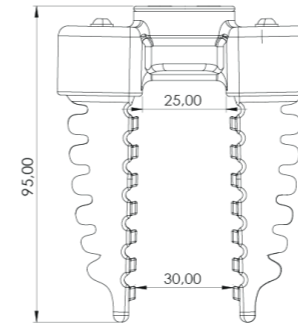
Rectangular or cubic  
 Feed size 5 mm - 120 mm  
 Weight < 300 g



SG.IN.P.F2.S60.A30.D0

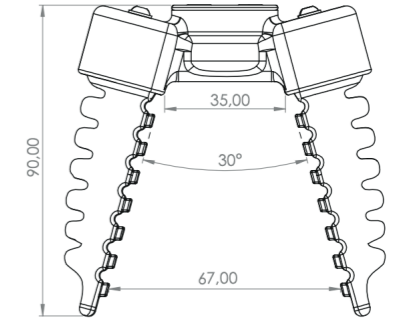


SG.IN.P.F2.S60.A67.D15



SG.IN.P.F2.S60.A30.D0

0° Cone Angle



SG.IN.P.F2.S60.A67.D15

15° Cone Angle

## 3-Finger Centric SoftGripper

Art.No. SG.IN.C.F3.S60.Axx.Dxx  
 Mass 190 g

### Typical Gripping Objects

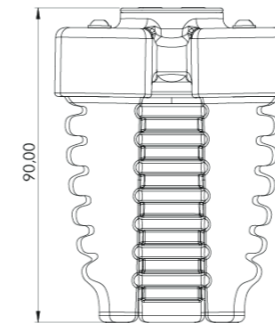
Circular or cylindrical  
 Feed size 5 mm - 120 mm  
 Weight < 450 g



SG.IN.C.F3.S60.A30.D0

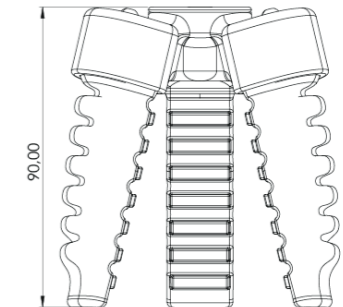


SG.IN.C.F3.S60.A70.D15



SG.IN.C.F3.S60.A30.D0

0° Cone Angle



SG.IN.C.F3.S60.A70.D15

15° Cone Angle

## 4-Finger Parallel SoftGripper

Art.No. SG.IN.P.F4.S60.Axx.Dxx  
 Mass 200 g

### Typical Gripping Objects

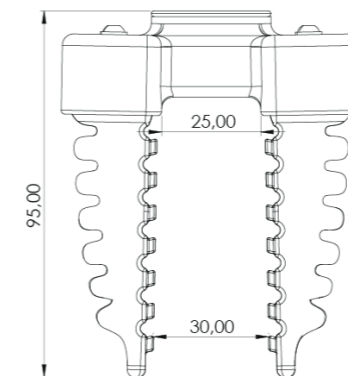
Rectangular or cubic  
 Feed size 5 mm - 120 mm  
 Weight < 600 g



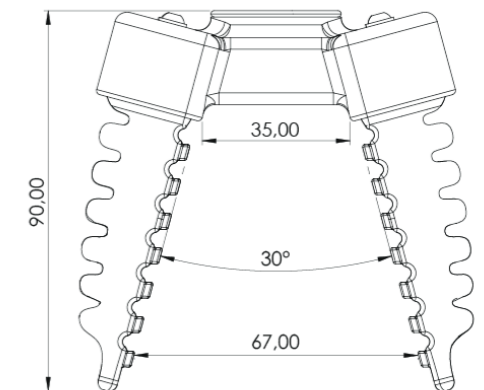
SG.IN.P.F4.S60.A30.D0



SG.IN.P.F4.S60.A67.D15



SG.IN.P.F4.S60.A30.D0



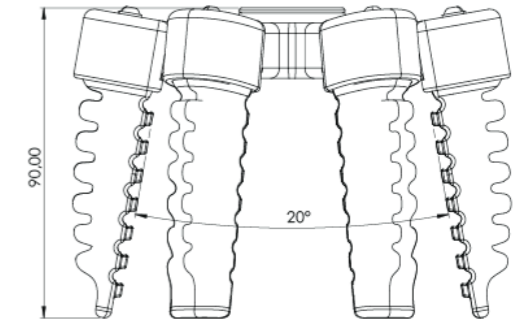
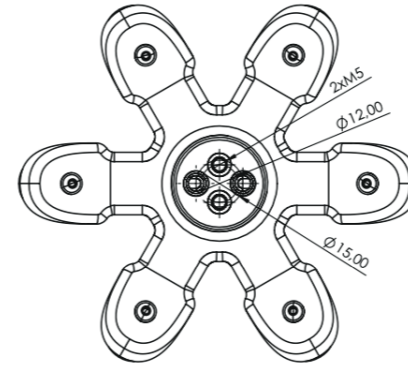
SG.IN.P.F4.S60.A67.D15

## 6-Finger Centric SoftGripper

Art.No. SG.IN.C.F6.S60.A100.D10  
Mass 300 g

### Typical Gripping Objects

Rectangular or cubic  
Feed size 5 mm - 120 mm  
Weight <600 g

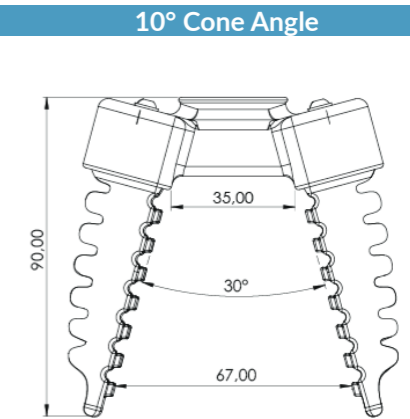
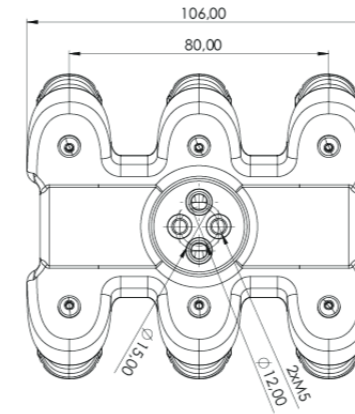


## 6-Finger Parallel SoftGripper

Art.No. SG.IN.P.F6.S60.A67.D15  
Mass 460 g

### Typical Gripping Objects

Rectangular or cubic  
Feed size 40 mm - 120 mm  
Weight <1200 g

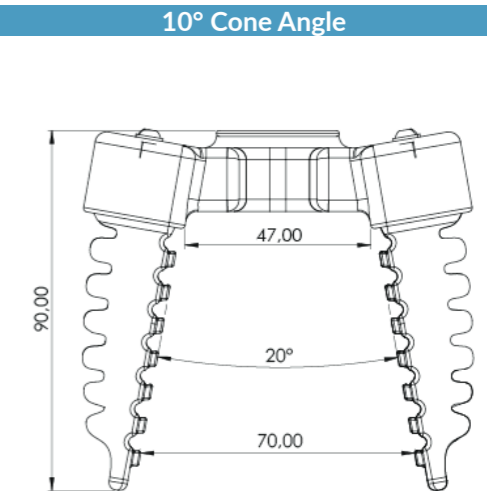
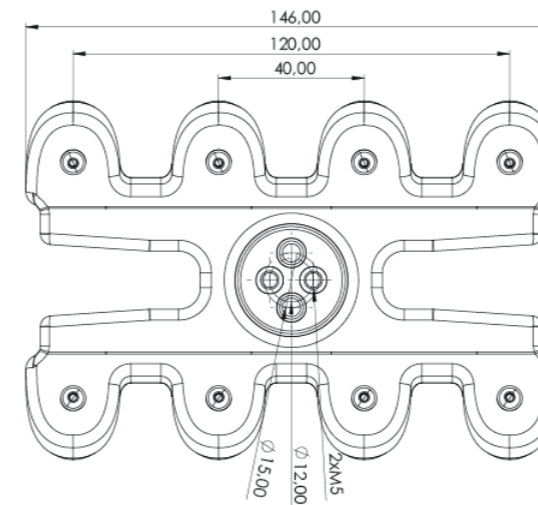
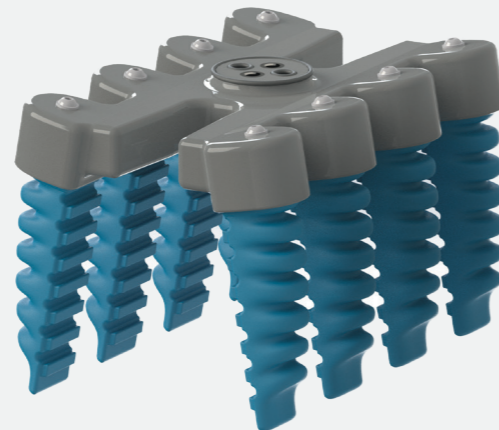


## 8-Finger Parallel SoftGripper

Art.No. SG.IL.8P.50.80D.G1  
Mass 460 g

### Typical Gripping Objects

Rectangular or cubic  
Feed size 40 mm - 120 mm  
Weight <1200 g



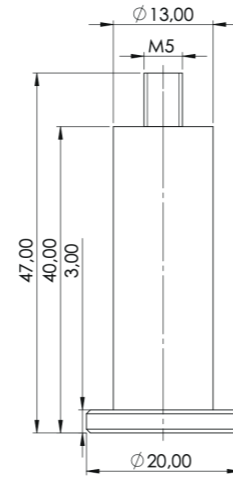
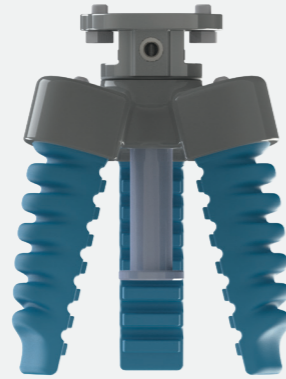
10° Cone Angle

10° Cone Angle

## Spacer for Small Objects

Art.No. SG.SP.M5.40.01

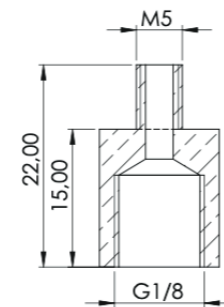
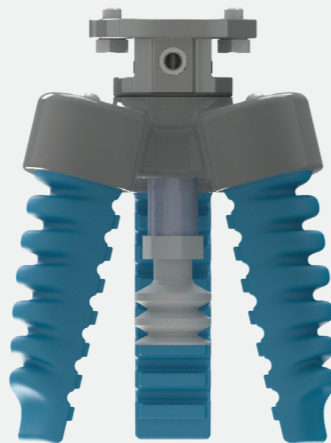
Safe gripping and avoiding of sliding upwards of small gripping objects.



## Suction Cup Extender with G1/8 thread

Art.No. SG.SP.M5.40.01

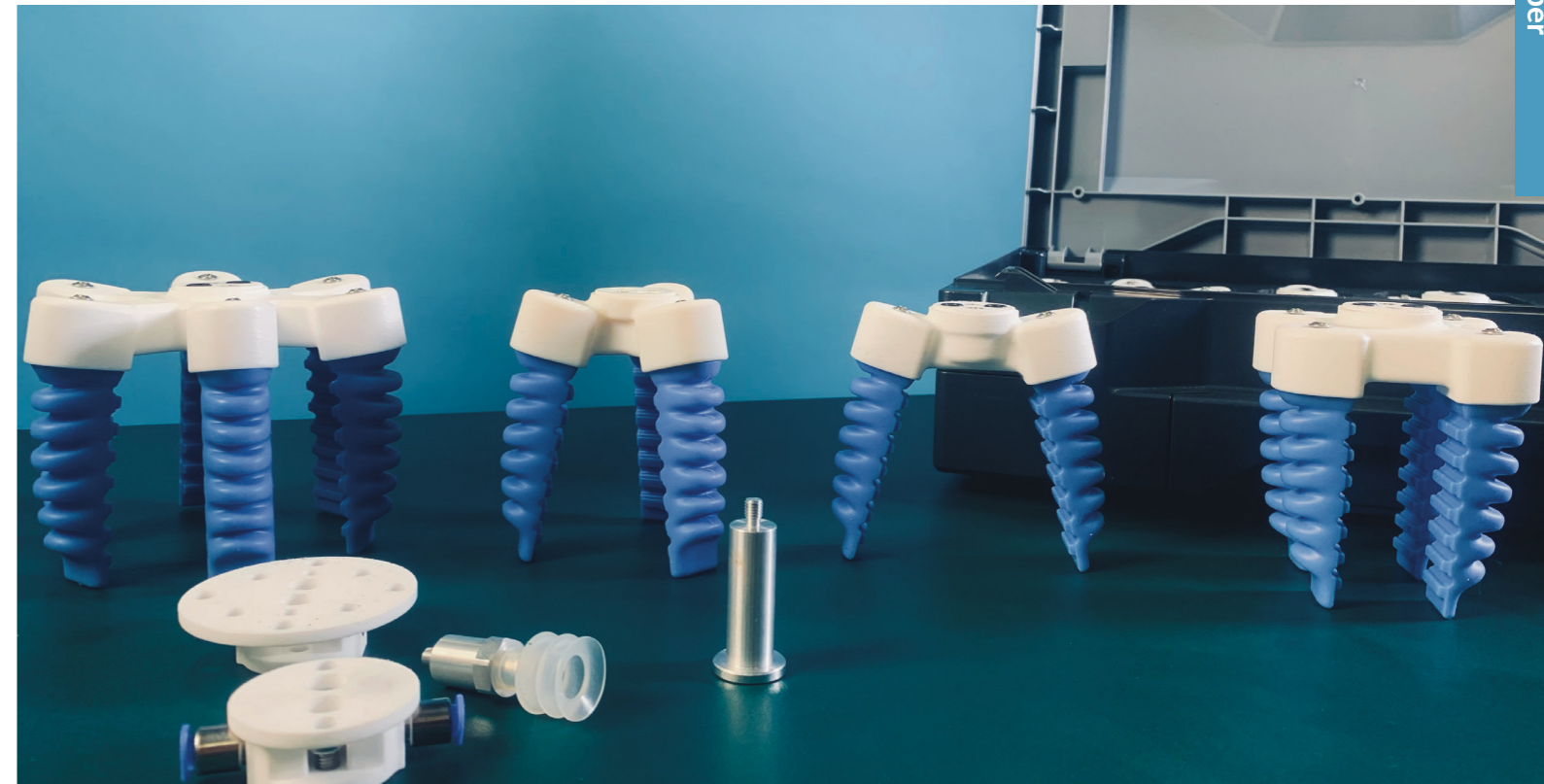
Suction cups can be used to add gripping force for flat objects.



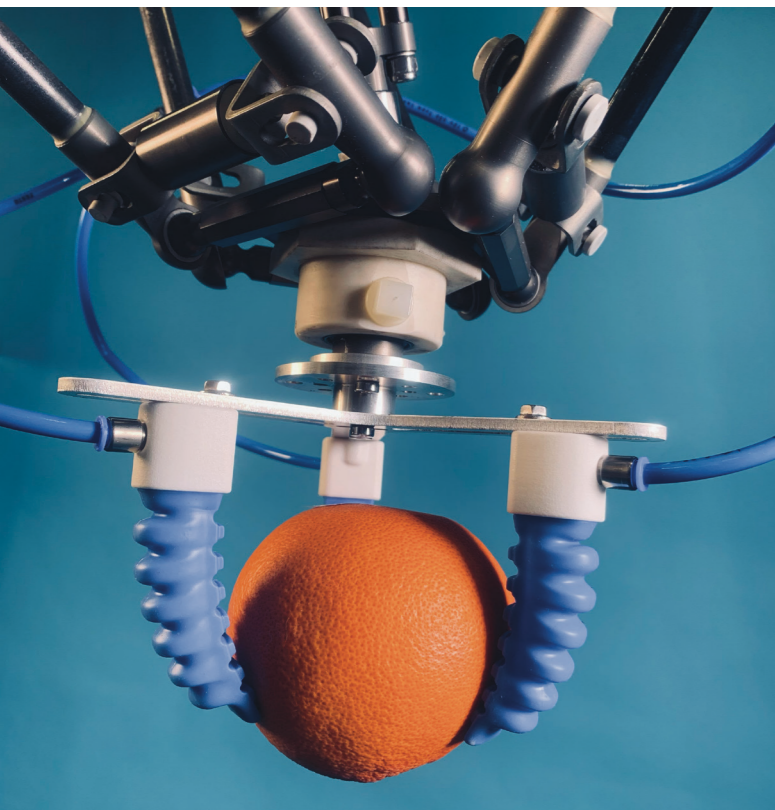
Do you have diverse applications and would like to test the versatility of SoftGripping? You can do it with the Construction Kit!

## The Construction Kit includes:

- 6x SoftGripping Finger
- 2 Finger Gripper Base
- 3 Finger Gripper Base
- 4 Finger Gripper Base
- 6 Finger Gripper Base
- Suction Cup
- Spacer
- Pneumatic Accesories
- Roboter adapter



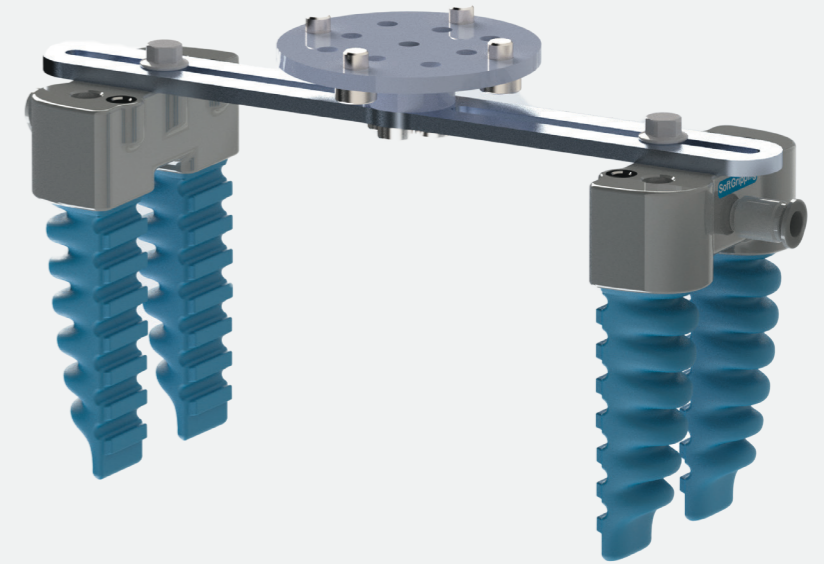




## SoftActuator

You need a more flexible gripper? Do you want to modify the gripper as you go? Or you want to integrate SoftActuators into your own handling device?

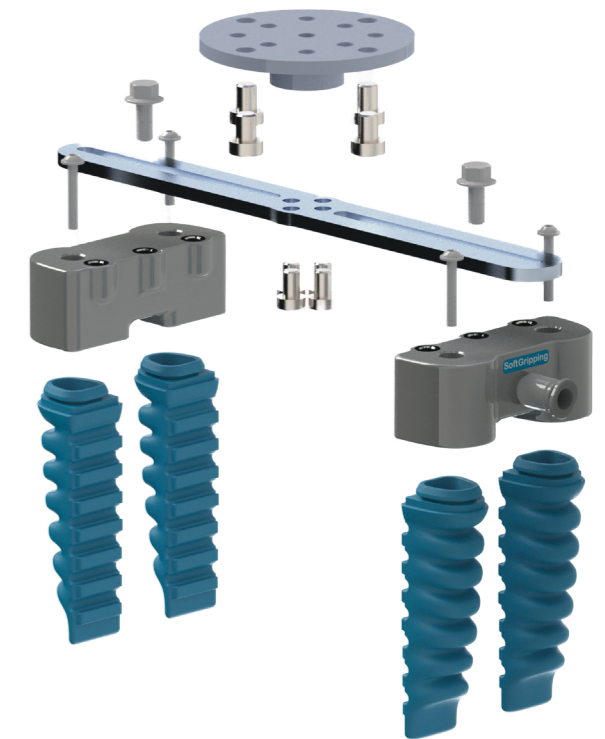
SoftActuators are the right choice for you! Build up your personal gripper out of SoftActuators and attachment plates and a robot connector.



- Fits to all SoftGripping plates and profiles
- High speed pick and place applications
- Custom actuators are available (number of fingers and finger distance)

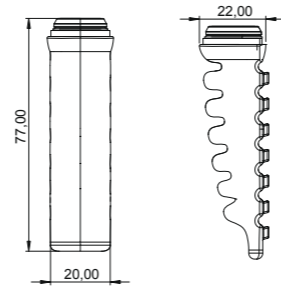
Get the CAD-models of the SoftActuators and integrate it into your design.

[www.soft-gripping.com](http://www.soft-gripping.com)



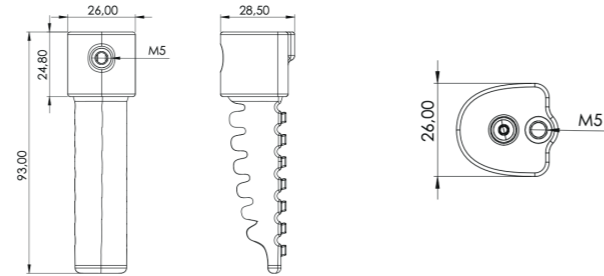
## SoftGripping Finger

Art.No. SG.FI.60  
Mass 20 g



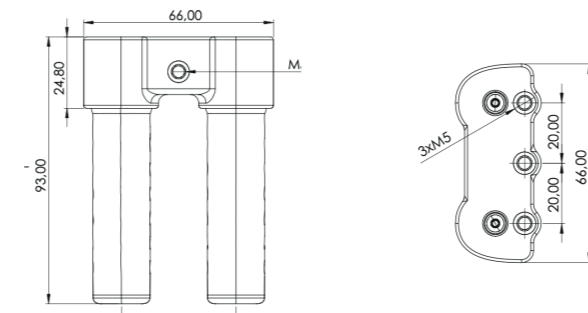
## 1-Finger SoftActuator

Art.No. SG.AN.F1.S60  
Mass 40 g



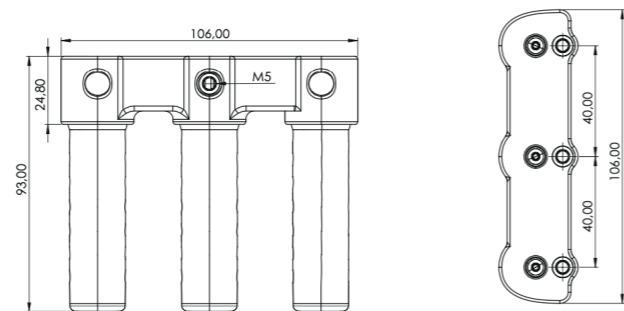
## 2-Finger SoftActuator

Art.No. SG.AN.F2.S60  
Mass 100 g



## 3-Finger SoftActuator

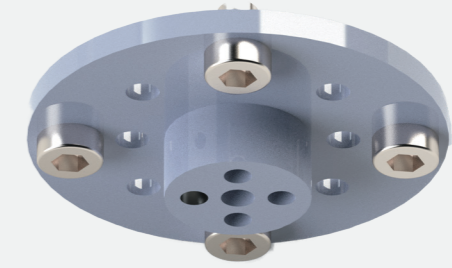
Art.No. SG.AN.F3.S60  
Mass 120 g



## Universal Plate Robot Adapter

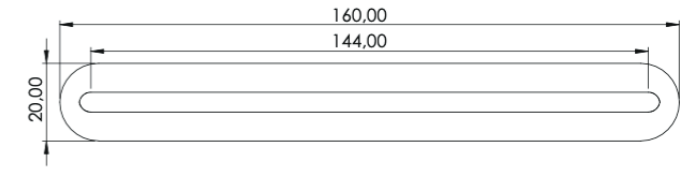
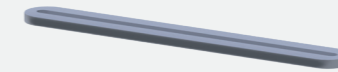
ISO 9409-A31,5  
ISO 9409-A40  
ISO 9409-A50

Art.No. SG.AN.R50  
Mass 80 g



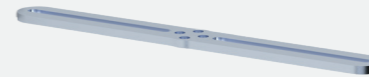
## Construction Plate

Art.No. SG.AN.P1.A144  
Mass 30 g



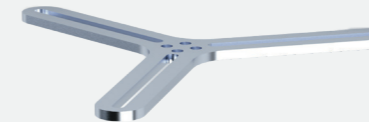
## 2 Arm Plate

Art.No. SG.AN.P2.A185  
Mass 40 g



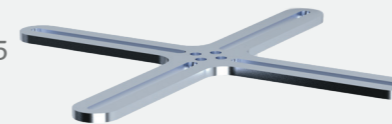
## 3 Arm Plate

Art.No. SG.AN.P3.A185  
Mass 50 g



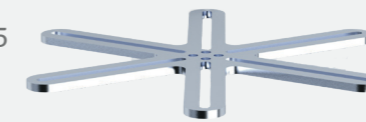
## 4 Arm Plate

Art.No. SG.AN.P4.A185  
Mass 60 g



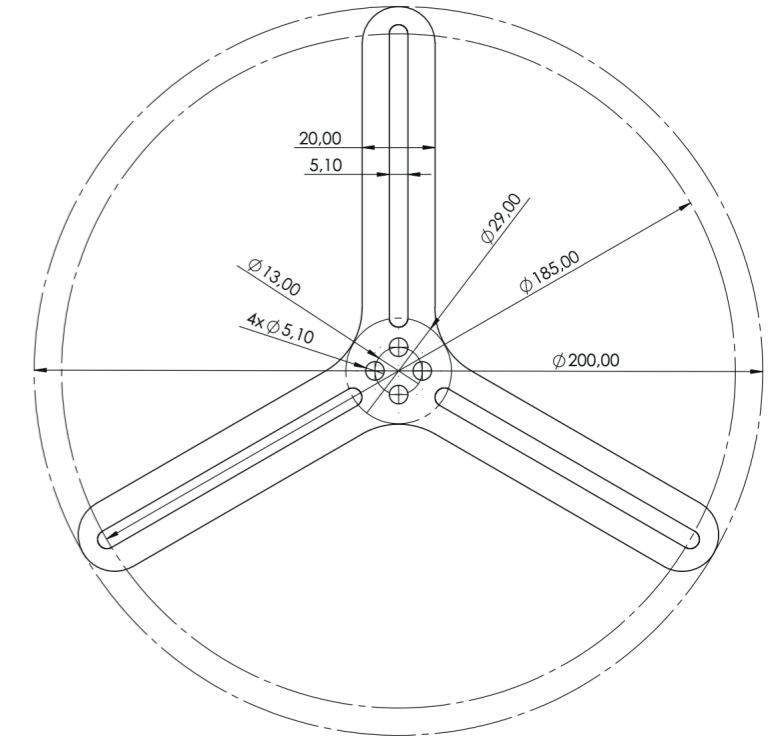
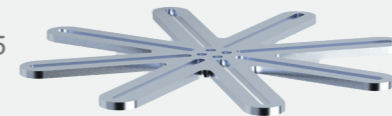
## 6 Arm Plate

Art.No. SG.AN.P6.A185  
Mass 75 g



## 8 Arm Plate

Art.No. SG.AN.P8.A185  
Mass 90 g





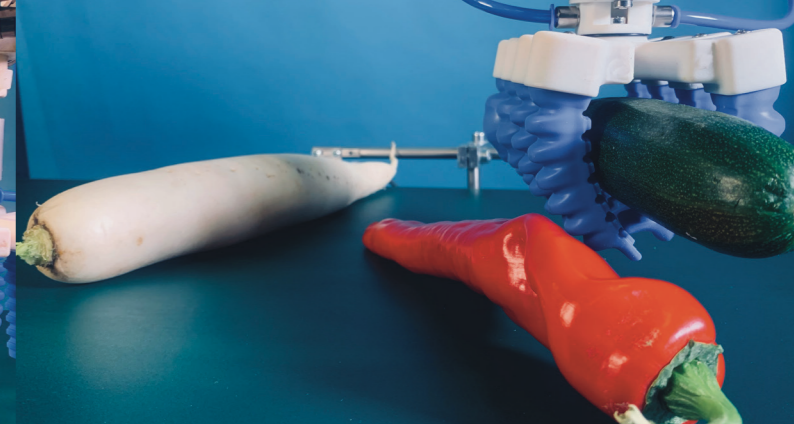
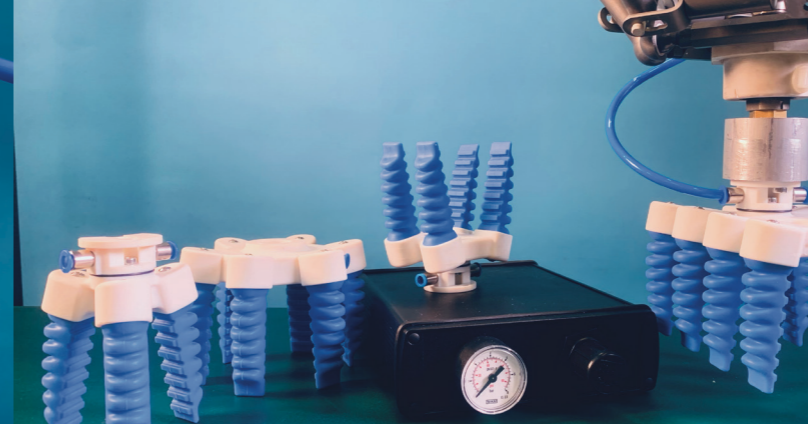
Release



Relaxed



Grip



## SoftGripping Controlbox

The Controlbox can be used to operate SoftGripper and SoftActuator. It has two outputs for air supply at the back panel. One for the vacuum suction cup and one for the fingers.

At the front panel, you can adjust the maximum output pressure according to your requirements and monitor the pressure output. With digital signals via the signal connector you can switch between three states for the fingers: grip, release or relaxed. The suction cup can be switched between grip and release.

- Suitable for High Speed Industrial Applications
- Cobot Applications
- 1 Channel for Gripping Fingers: grip, release and relax
- 1 Channel for Suction Cup

	Controlbox VP-V
Art.No.	SG.BP.2V.C3
Input Pressure	4-8 bar
Output Pressure Finger	0...1.5 bar
Output Pressure Vacuum Cup	-0.7 bar
Switching Speed	<20 ms
Input Pressure Tube	8 mm
Output Pressure Tube	8 mm
Digital Input	3x 24 V DC
Signal Connector	M12 IEC 61076-2-101

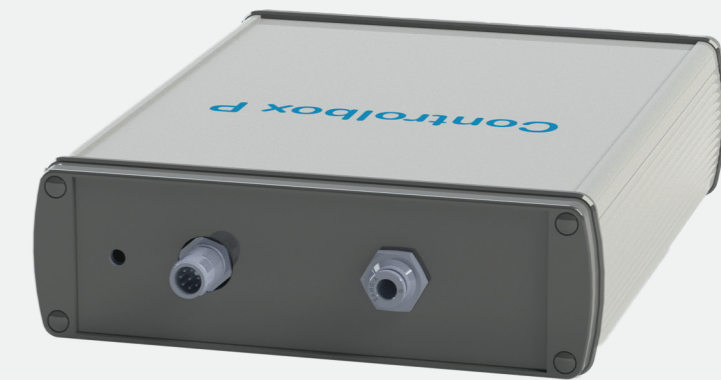


## SoftGripping Pump

The Pump can be used to operate SoftGripper if you have no central air pressure supply. It has one pressure outlet for the gripper. With digital signals you can switch between three states for the fingers: grip, release and relaxed. At the front panel, you can adjust the maximum output pressure according to your requirements and monitor the pressure output.

- Suitable for Mobile Applications
- Integrated Pump
- 1 Channel for Gripping Fingers: grip, release and relax

	Controlbox P
Art.No.	SG.BP.1P.C1
Output Pressure Finger	-0.5...2.0 bar
Output Pressure Tube	6 mm
Digital Input	3x 24 V DC
Signal Connector	M12 IEC 61076-2-101







Wegard GmbH  
Kirchenheide 18  
22395 Hamburg  
Germany

+49 40 319 76 995  
info@soft-gripping.com

www.soft-gripping.com  
www.soft-gripping.shop

Version 2022-01-11

© Wegard GmbH 2022 All rights reserved.